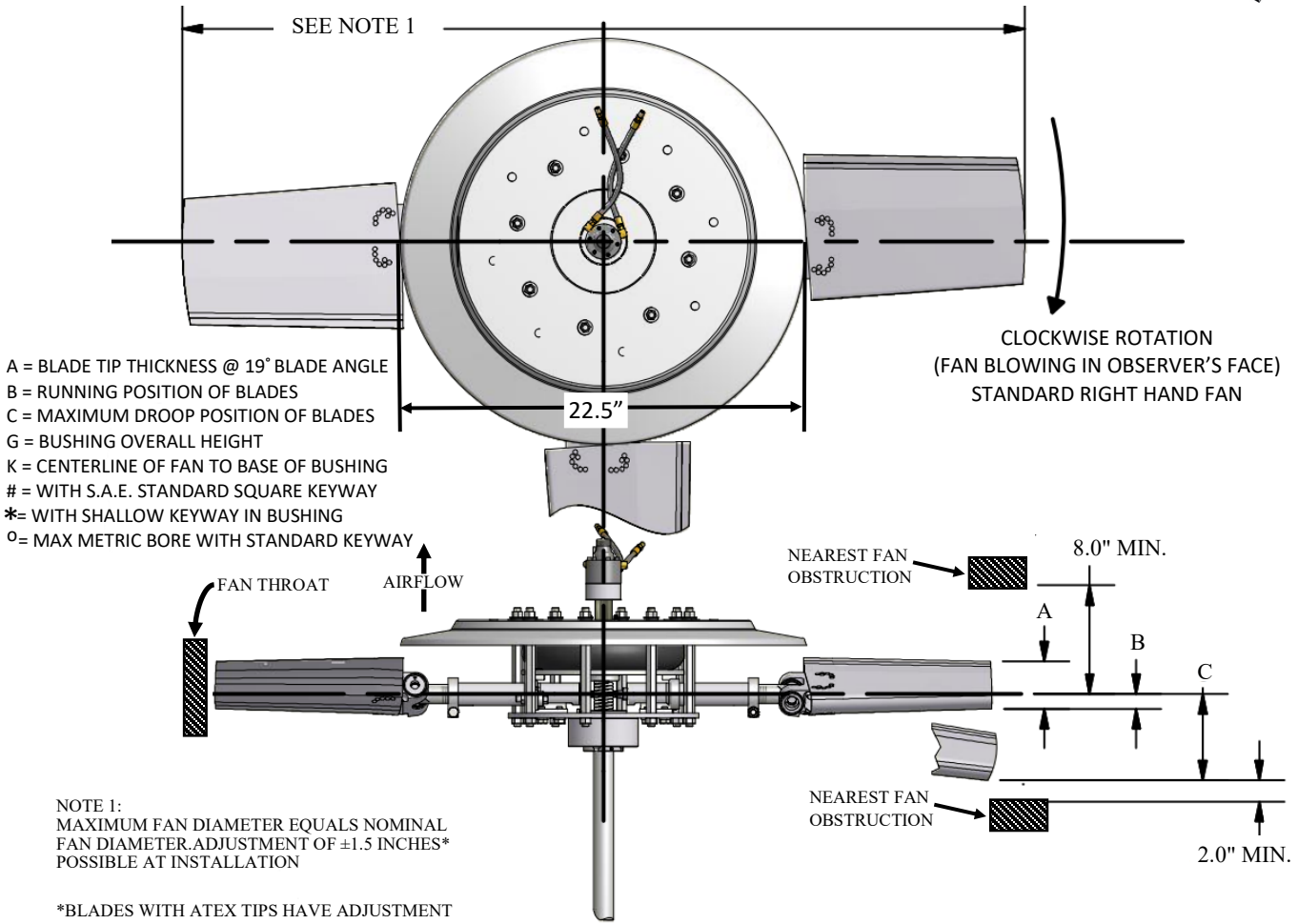


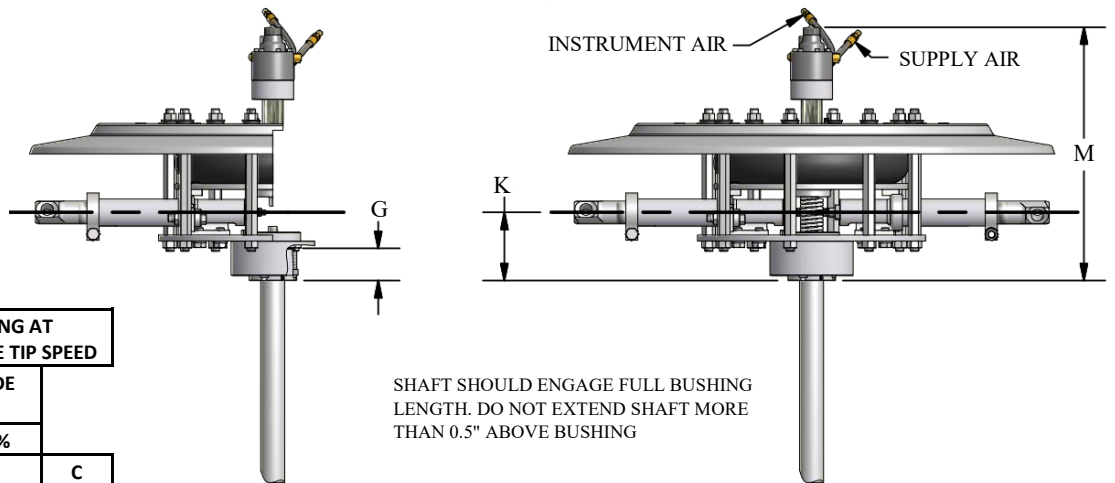
CLASS 10000 SERIES 30 SC

CSP AUTOMATIC FAN, RH ROTATION



NOTE 1:
MAXIMUM FAN DIAMETER EQUALS NOMINAL
FAN DIAMETER. ADJUSTMENT OF ±1.5 INCHES*
POSSIBLE AT INSTALLATION

*BLADES WITH ATEX TIPS HAVE ADJUSTMENT
OF -1.0" & +2.0" ON DIAMETER



WITH FAN OPERATING AT
12000 FT/MINUTE BLADE TIP SPEED

PERCENT BLADE
LOADING

100% 75%

DIA	A	B		C
		100%	75%	
5'	4.8"	1.4"	1.0"	3.4"
6'	4.4"	1.7"	1.2"	3.7"
7'	4.0"	2.0"	1.5"	4.0"
8'	3.6"	2.4"	1.8"	4.4"
9'	3.2"	2.8"	2.1"	4.8"
10'	2.8"	3.2"	2.4"	5.2"

MAX BLADES	BUSHING TYPE	MAX # BORE	MAX * BORE	MAX o BORE	G	K	M
7	U	2.75"	2.938"	75	2.7"	5.8"	21.1"
7	W	3.750"	4.000"	100	2.8"	8.7"	24.1"